



BIO | DOOR

Encapsulated Doors & Doorsets

Built to stand up to the most demanding situations, designed to look and feel fantastic.

A huge range of finishes is available to suit your requirements:

Antimicrobial finishes

High impact PVCs

High pressure laminates... the choice is almost limitless.

BioClad is an award winning innovation in hygiene that has proven to be effective:

- Inhibits the growth of a wide range of microbes including MRSA, E. Coli, Salmonella and mould by up to 99.9%
- Continues to control bacteria 24/7
- Eliminates the need for aggressive cleaning agents reducing cleaning & maintenance costs
- BioClad's antimicrobial properties carry a lifetime guarantee. BioClad does not leach and cannot be washed away.

Much has been published about bacteria on doors in hospitals with Drake University calling doors a 'reservoir of microbial contamination' in a recent study. Colonies of Staphylococcus, E.coli, MRSA and Salmonella are routinely found on door surfaces when tested. Defender BioDoor utilises BioClad's proven antimicrobial protection where it is needed most.

BioDoors are encapsulated in BioClad PVC and can help reduce cross contamination in communal areas, food prep areas, doctors' surgeries and hospitals. Lead linings can be hidden within the door core and frame to maintain the hygiene AND the aesthetic appearance of the doorset.

A number of smooth and textured PVC finishes are available. Antimicrobial finishes are well suited to medical and pharmaceutical facilities. The smooth PVCs are especially suited to areas where regular washing down is required. The textured finishes work well in areas where doors are more susceptible to heavy traffic and abuse.



Tel: 0330 100 0313

sales@bioclad.com
www.bioclad.com

BioClad Ltd
Unit 1A, Greengate, Cardale Park
Harrogate, North Yorkshire
HG3 1GY

Encapsulated Doors and Doorsets

By introducing radiused vertical edges to the door and frame encapsulated doors and doorsets offer a clean, damage resistant, maintenance free and ergonomically superior product suitable for many applications such as healthcare, education and commercial environments



PVC Wrapping

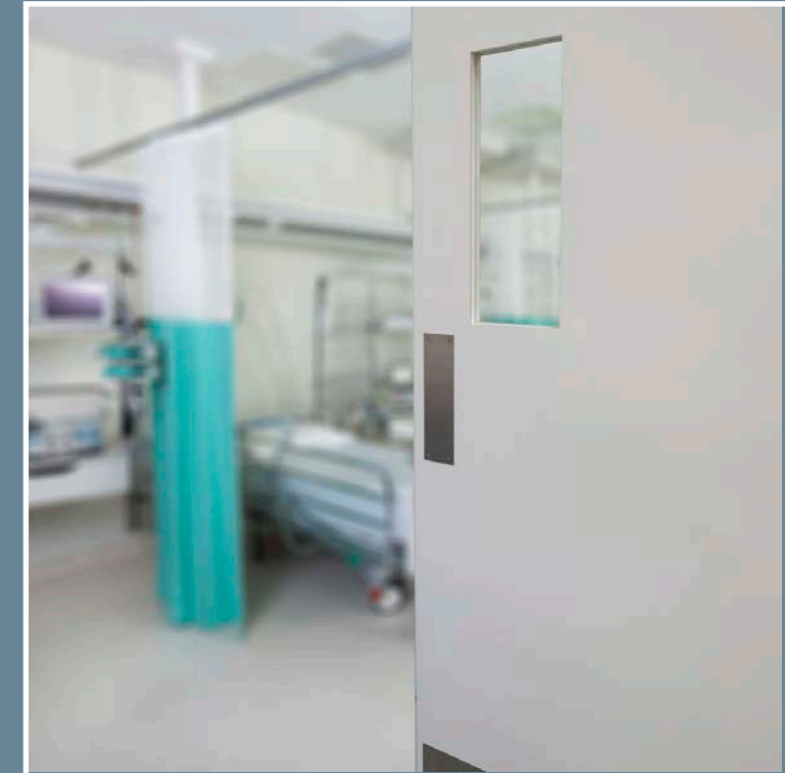
A number of smooth and textured PVC finishes are available covering over 60 colours. Antimicrobial finishes are well suited to medical and pharmaceutical facilities. The smooth PVCs are especially suited to areas where regular washing down is required. To create a unique installation we are able to combine colours to suit an area.

BioDoor is a unique product wrapped in smooth or textured antimicrobial PVC which has been impregnated throughout with silver ions. This means that even if the PVC is scratched it will still be fully antimicrobial... the antimicrobial properties last for the lifetime of the product.



High Pressure Laminates

Available in a huge number of colours and finishes, these doors and frames can be as subtle or loud as your design calls for. High pressure laminates have a high resistance to scratching and a number of antibacterial finishes are on offer. These doors and door sets are easy to wipe clean and are low maintenance.



Frames

A range of frames is available in either painted or wrapped finishes to match or contrast with the finish of the door leaf. Steel powder coated and stainless steel frames are available to order.

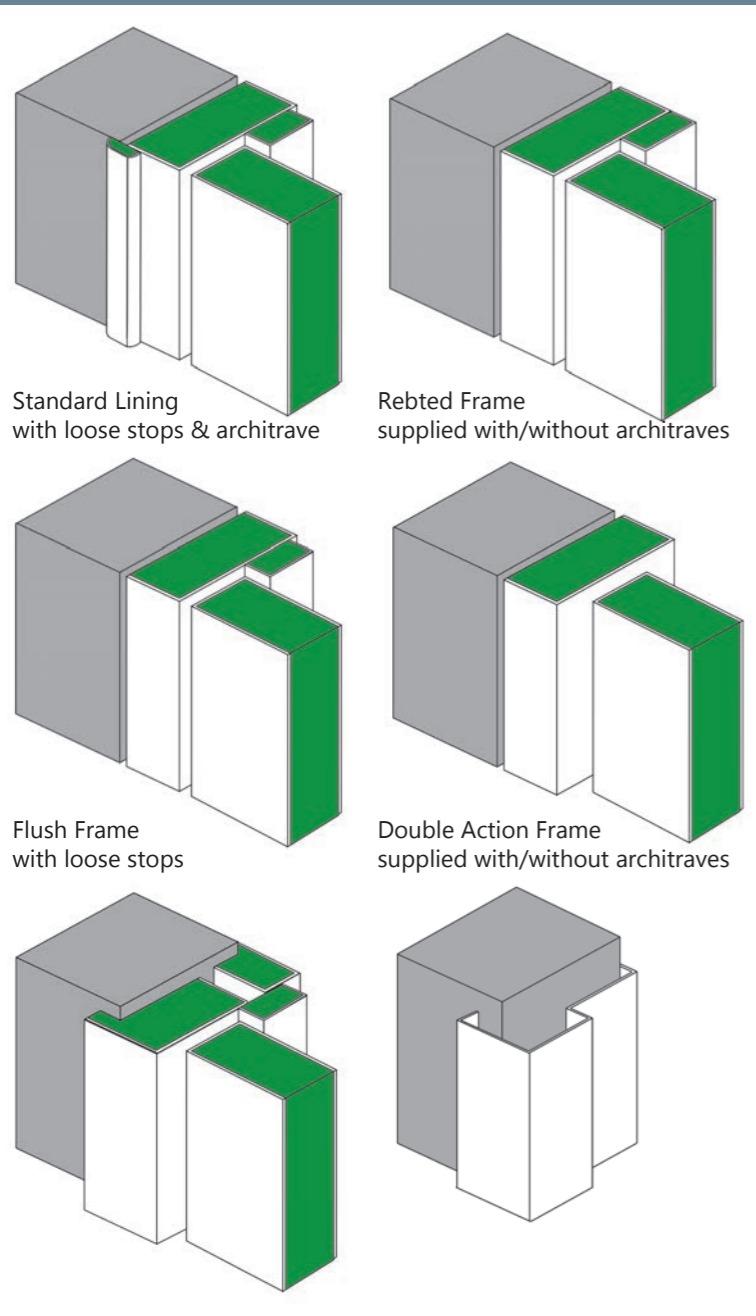
Vision Panels

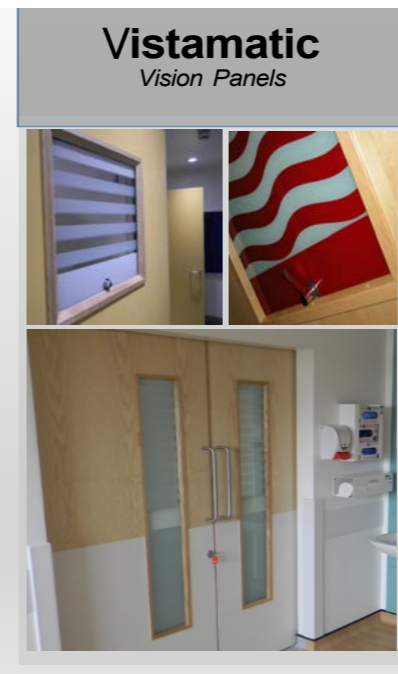
Traditional vision panels and flush glaze vision panels can be installed to your design. Specialist vision panels such as integrated privacy blinds and stainless steel surrounds can also be incorporated into the design of the doors.

Lead Lined Doors

Encapsulated doors can be used to hide lead lining for X-ray room doors

*** Laminate or PVC must be of a thermo-formable variety**





Vision Panels

Traditional vision panels and flush glaze vision panels can be installed to your design. Specialist vision panels such as integrated privacy blinds and stainless steel surrounds can also be incorporated into the design of the doors.

Frames

Available as

- MDF Frames – Primed, Veneered or wrapped
- Softwood frames – Primed, painted or wrapped
- Hardwood frames – Primed, painted, stained or wrapped
- Steel Frames – Powder coated
- Stainless steel frames – Satin, SUS 304 or SUS 316 grade

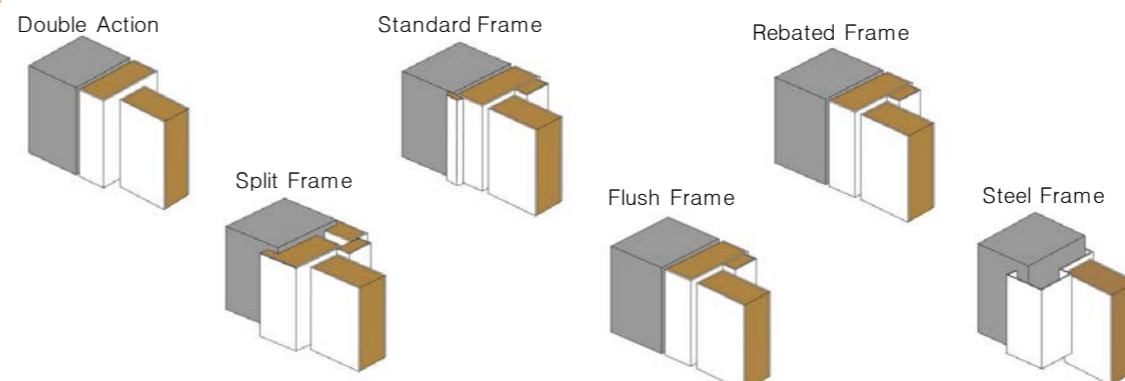
Frame Types

- Lining with loose stops & optional architrave.... Standard frame for general use.
- Split Frame with integrated architrave, loose stops... allows an amount of adjustment on the wall thickness. Fast, easy installation.
- Double action frame... required for all double action doorsets
- Steel & Stainless steel frames: telescopic -5+15 mm to help with installation.
- NO DECORATING REQUIRED. Very hard wearing. Amazingly fast to fit.

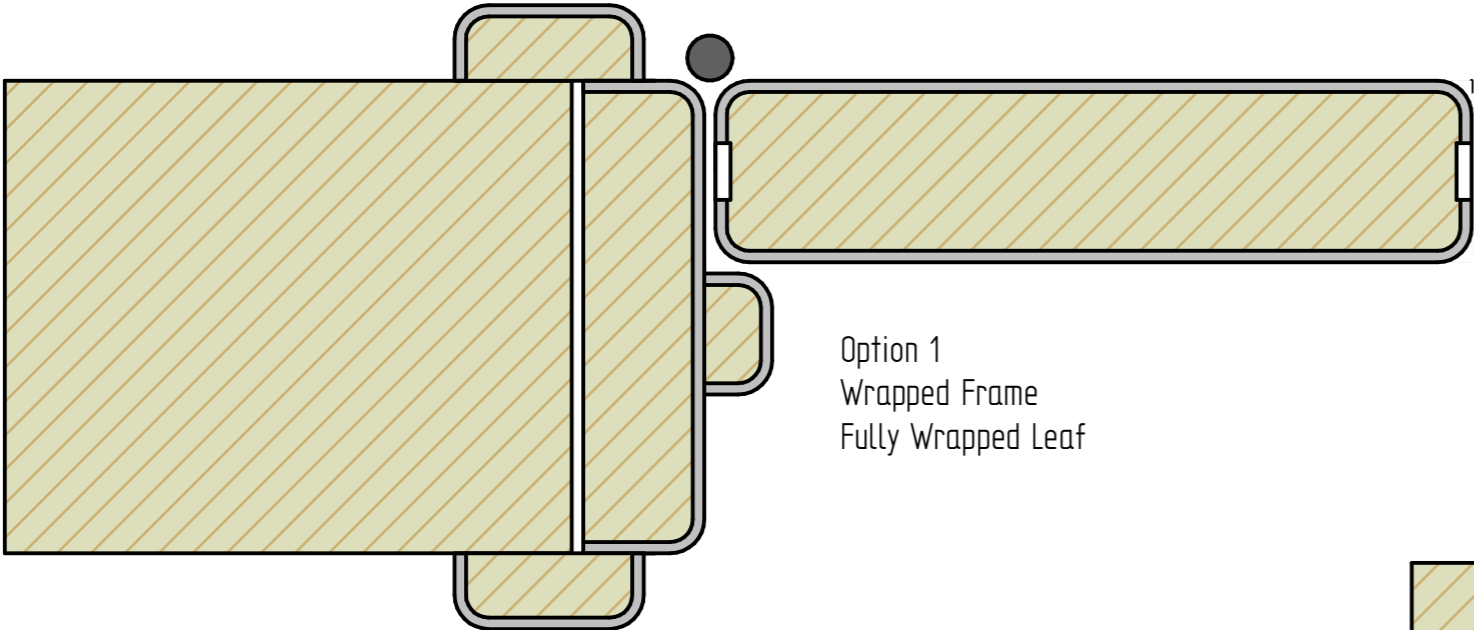


Frames & Vision Panels

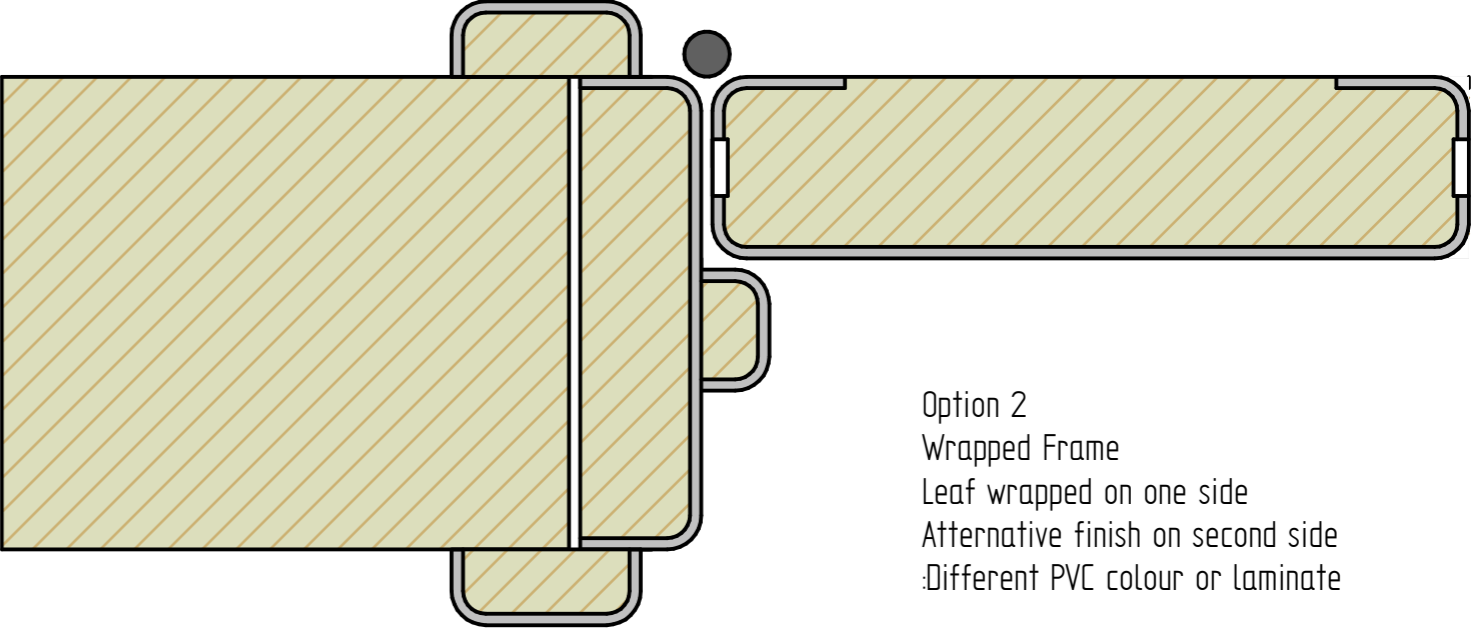
Frames and vision panels to make the design your own.



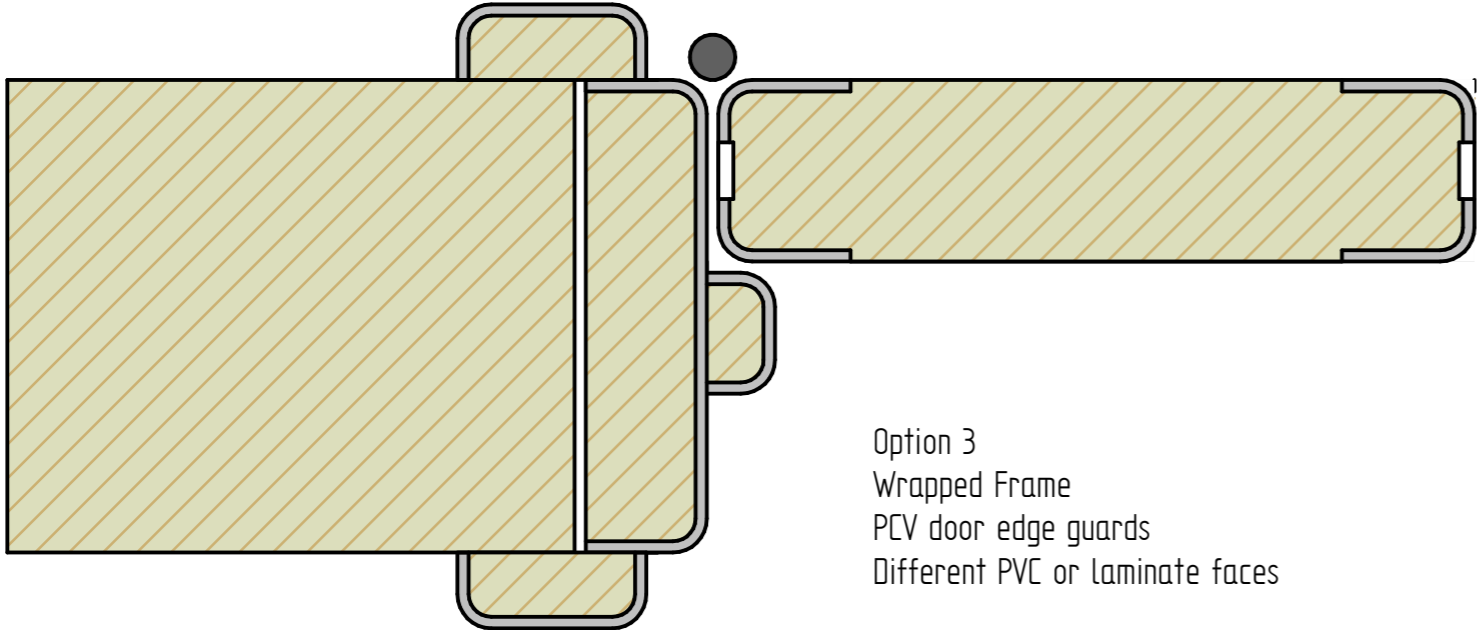
REVISION HISTORY			
REV	DESCRIPTION	DATE	APPROVED



Option 1
 Wrapped Frame
 Fully Wrapped Leaf



Option 2
 Wrapped Frame
 Leaf wrapped on one side
 Alternative finish on second side
 :Different PVC colour or laminate



Option 3
 Wrapped Frame
 PVC door edge guards
 Different PVC or laminate faces

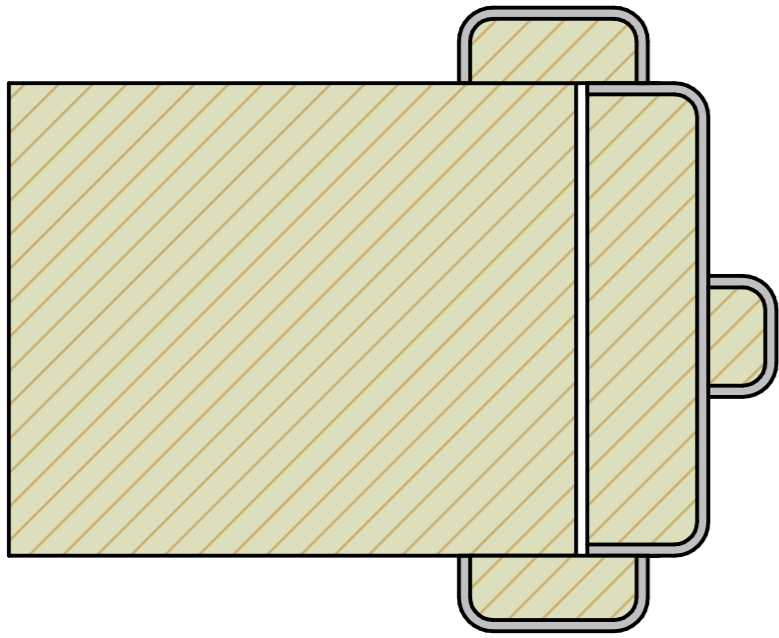
	NAME	DATE
DRAWN		11/01/18
CHECKED		
ENG APPR		
MGR APPR		



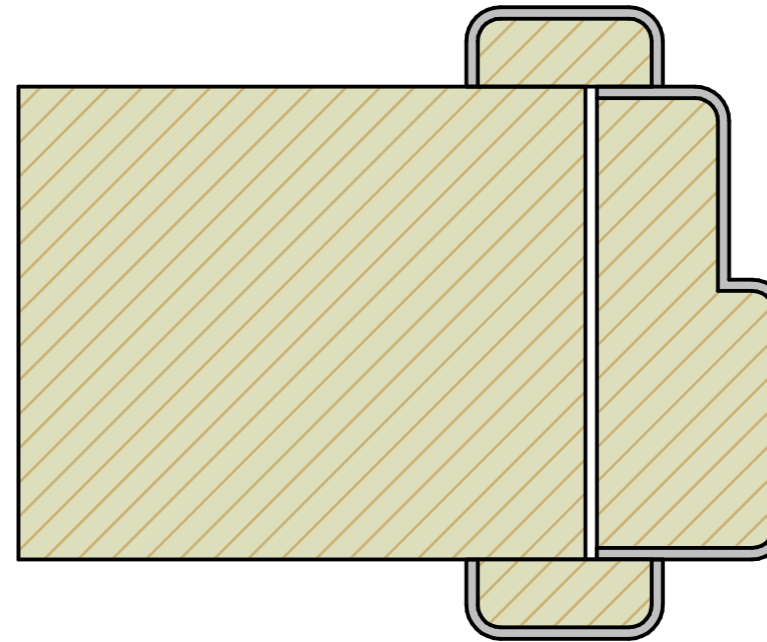
UNLESS OTHERWISE SPECIFIED
 DIMENSIONS ARE IN MILLIMETERS
 ANGLES ±X.X°
 2 PL ±X.XX 3 PL ±X.XXX

SIZE A3	TITLE Type here	REV
FILE NAME: BioClad Options .dft		
PART NO: Type here	SHEET 1 OF 1	

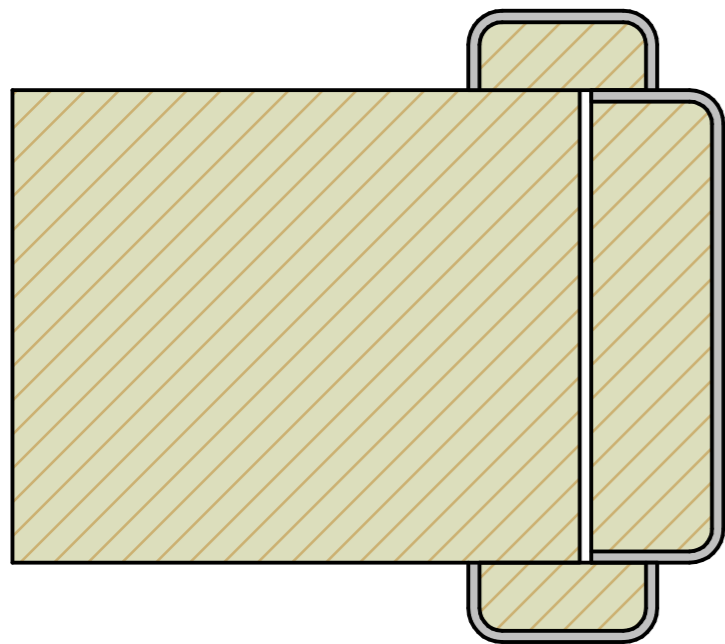
REVISION HISTORY			
REV	DESCRIPTION	DATE	APPROVED



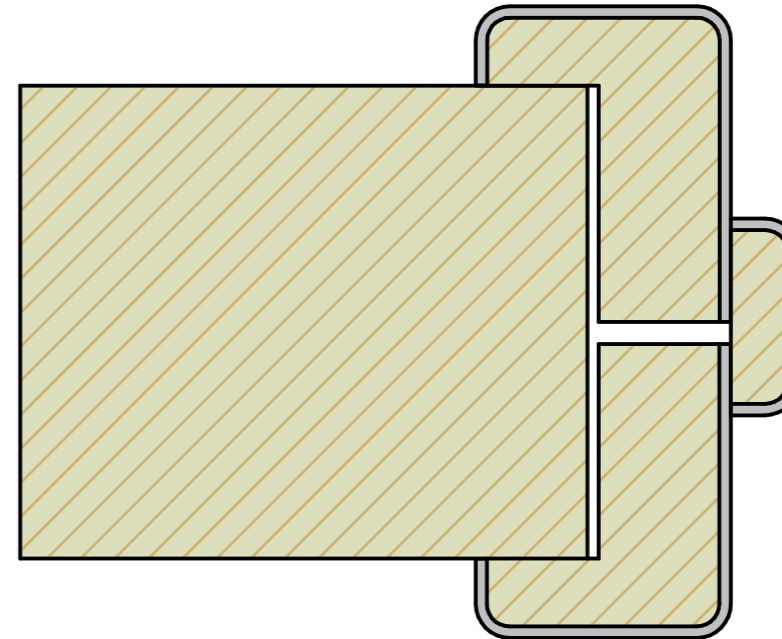
Option 1
 Wrapped Frame
 Lining, Stops & Architraves



Option 2
 Wrapped Frame
 Rebated & Architraves



Option 3
 Wrapped Frame
 Double Action Frames & Architraves



Option 4
 Wrapped Frame
 Split Frame & Stops

	NAME	DATE
DRAWN		11/01/18
CHECKED		
ENG APPR		
MGR APPR		



UNLESS OTHERWISE SPECIFIED
 DIMENSIONS ARE IN MILLIMETERS
 ANGLES ±X.X°
 2 PL ±X.XX 3 PL ±X.XXX

SIZE A3	TITLE Type here	REV
FILE NAME: BioClad Options 2 Frames.dft		
PART NO: Type here		SHEET 1 OF 1

REVISION HISTORY			
REV	DESCRIPTION	DATE	APPROVED



Option 1
 Flush Glaze Vision Panel
 Glazed Central Panel
 Polycarb Exterior Panels



Option 2
 Glazed Vision Panel
 Bolection Bead
 - Finished as hardwood or wrapped



Option 3
 V Groove Vision Panel
 Glazed Central Panel
 Polycarb Exterior Panels



Option 4
 Pre-made Flush Glazed Panel
 Silicon Bead
 (Option to also use thinner panels/panels with integral blinds with silicon bead, bolection bead or stainless steel surround)

	NAME	DATE	BIO DOOR	SIZE	TITLE	REV
DRAWN		11/01/18		A3	Type here	
CHECKED				FILE NAME: BioClad Options 3 Vision Panels.dft		
ENG APPR				PART NO: Type here	SHEET 1 OF 1	
MGR APPR			UNLESS OTHERWISE SPECIFIED DIMENSIONS ARE IN MILLIMETERS ANGLES ±X.X° 2 PL ±X.XX 3 PL ±X.XXX			